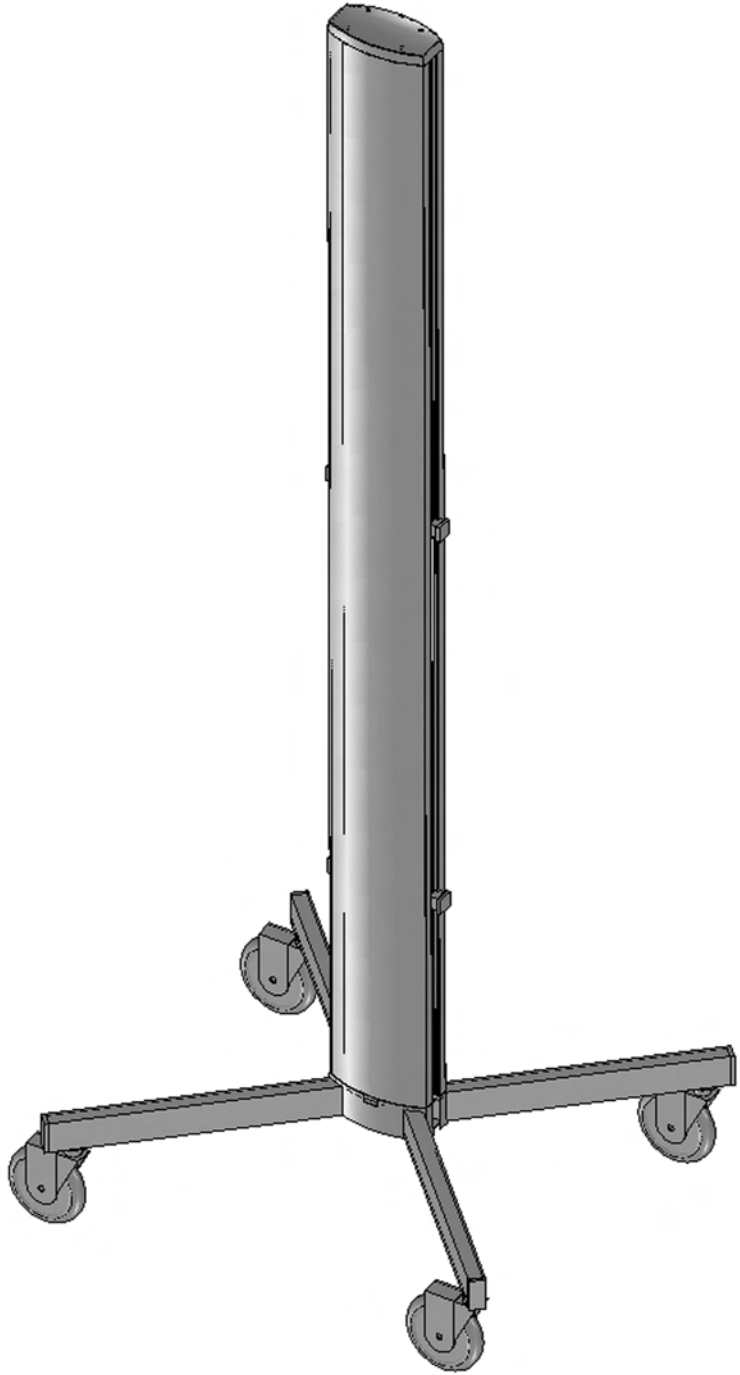
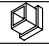





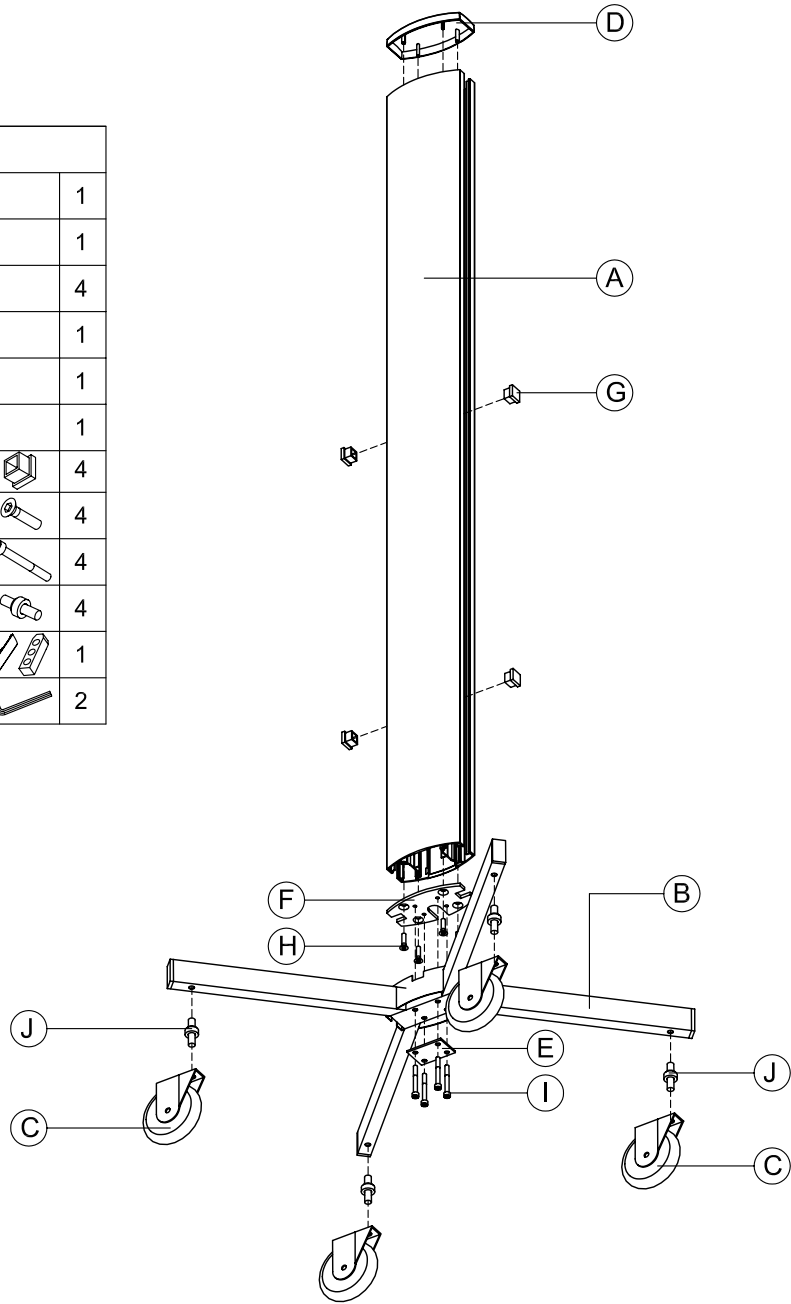


# SMS PROJECTOR FM M2

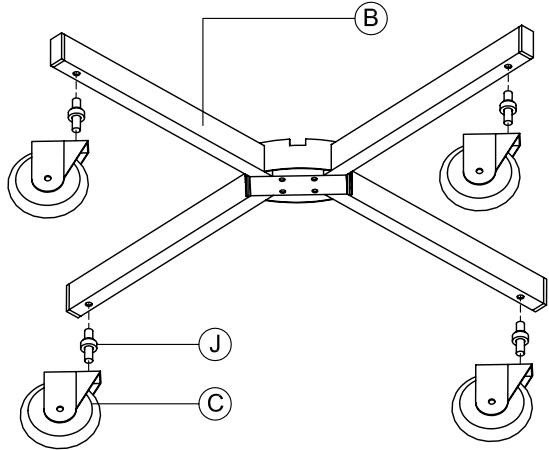


**Contents**

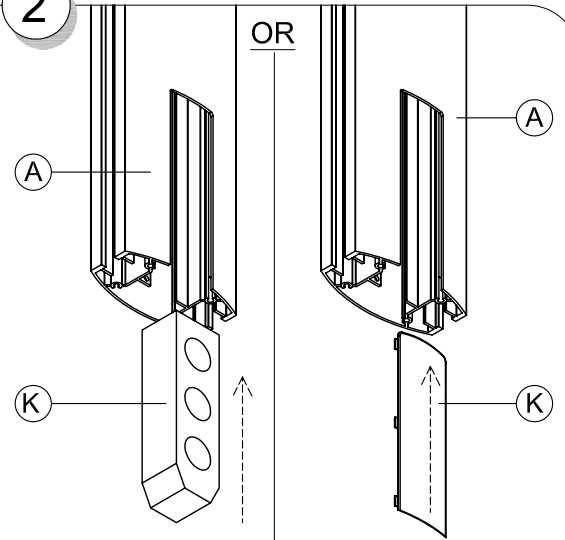
A.	Aluminium pillar		1
B.	Floor stand complete		1
C.	Wheels		4
D.	Top plastic cover		1
E.	Bottom rectangular plate		1
F.	Bottom oval plate for pillar		1
G.	Plastic Covers 20X20		4
H.	M6X25 countersunk screws		4
I.	M6X50 screw		4
J.	M10x15 wheel screw		4
K.	Plug socket or socket cover		1
L.	Allen Key		2



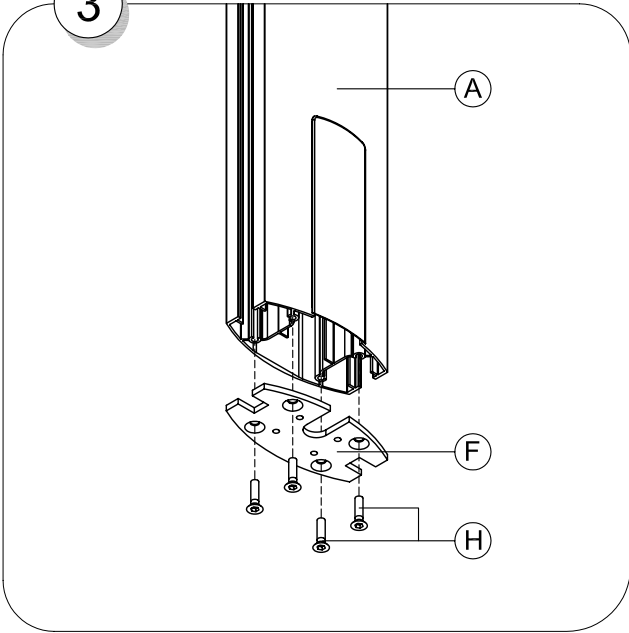
1



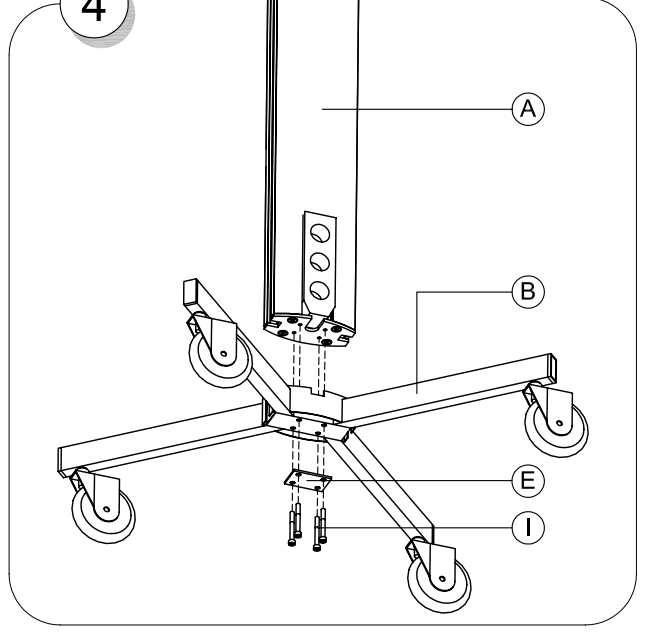
2



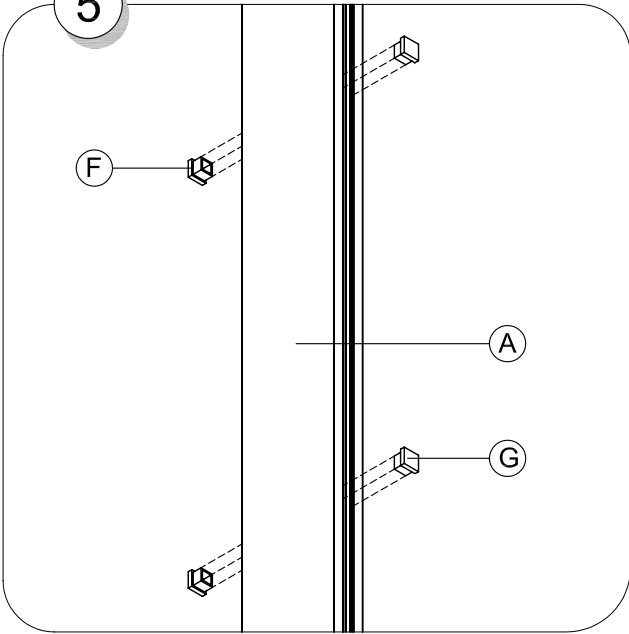
3



4



5



6

