

*The*  
**POWER** *In*  
**PRESENTATION PRODUCTS**



**Instruction Book for**  
**DESIGNER CONTOUR® ELECTROL®**



**DA-LITE SCREEN COMPANY, INC.**

3100 North Detroit Street  
Post Office Box 137  
Warsaw, Indiana 46581-0137  
Phone: 574-267-8101  
800-622-3737  
Fax: 574-267-7804  
Toll Free Fax: 877-325-4832  
www.da-lite.com  
e-mail: info@da-lite.com

# ***IMPORTANT SAFETY INSTRUCTIONS***

When using your video equipment, basic safety precautions should always be followed, including the following:

1. Read and understand all instructions before using.
2. Position the cord so that it will not be tripped over, pulled, or contact hot surfaces.
3. If an extension cord is necessary, a cord with a current rating at least equal to that of the appliance should be used. Cords rated for less amperage than the appliance may overheat.
4. To reduce the risk of electric shock, do not disassemble this appliance. Contact an authorized service dealer when repair work is required. Incorrect reassembly can cause electric shock when the appliance is used subsequently.
5. The use of an accessory attachment not recommended by the manufacturer may cause a risk of fire, electric shock, or injury to persons.

**SAVE THESE INSTRUCTIONS**

## INSTALLATION

Carefully unpack screen and remove outer wrapping from case.

Remove the black tape from the slat bar after the case has been installed.

There are three ways to install the Designer Contour Electrol: Wall Mount, Ceiling Mount, or Ceiling Hook. Procedures for each method are as follows:

### Wall Mount

1. Secure the wall mount bracket to the wall at the desired height. Bracket should be fastened to wall studs or some reinforcement within the wall. Concrete or brick walls require special fasteners and anchors.
2. Make sure the bracket is level. See figure 1 for reference dimensions.
3. Keep in mind you will need at least 5/8" between the ceiling and the top of the wall mount bracket to be able to position the case on the bracket.
4. Mount the screen case on the wall bracket as shown in figure 1. Be sure the case is fully seated on the bracket. Tighten the stop screws against the wall bracket.

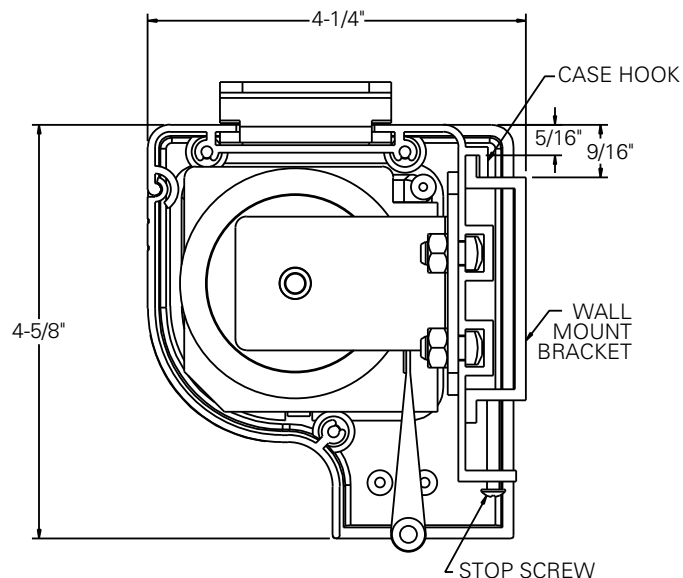


FIGURE 1

### Ceiling Mount

1. Do not remove the wall mount bracket, even if you are not using it for mounting. This provides structural stability to the case.
2. Be sure the ceiling has adequate reinforcement to attach the screen brackets.
3. The top of the screen case has a channel that the ceiling mount brackets slide into. Remove the end cap on the right end of the case and insert the brackets into the case channel. Lock the brackets in place by tightening two set screws. Refer to figure 2. Mount cannot be more than 12" from end of case.
4. Hold the screen case up to the ceiling and mark the hole locations. Drill holes into the ceiling and attach screen with the appropriate fasteners for your ceiling.

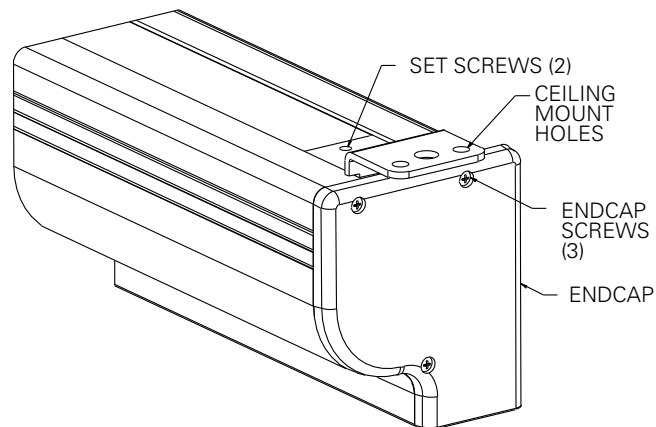


FIGURE 2

### Ceiling Hook

1. Do not remove the wall mount bracket, even if you are not using it for mounting. This provides structural stability to the case.
2. Be sure the ceiling has adequate reinforcement to attach a hook anchor.
3. The top of the screen case has a channel that the ceiling hook brackets slide into. Remove the end cap on the right end of the case and insert the brackets into the case channel. Lock the brackets in place by tightening two set screws. Refer to figure 3.
4. The brackets can be attached anywhere within 12" of the end of the case.
5. Attach an S-hook or similar fastener to the large center hole on the bracket.

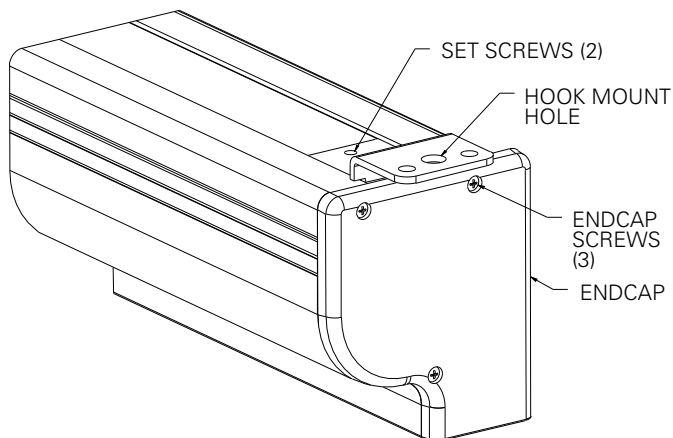
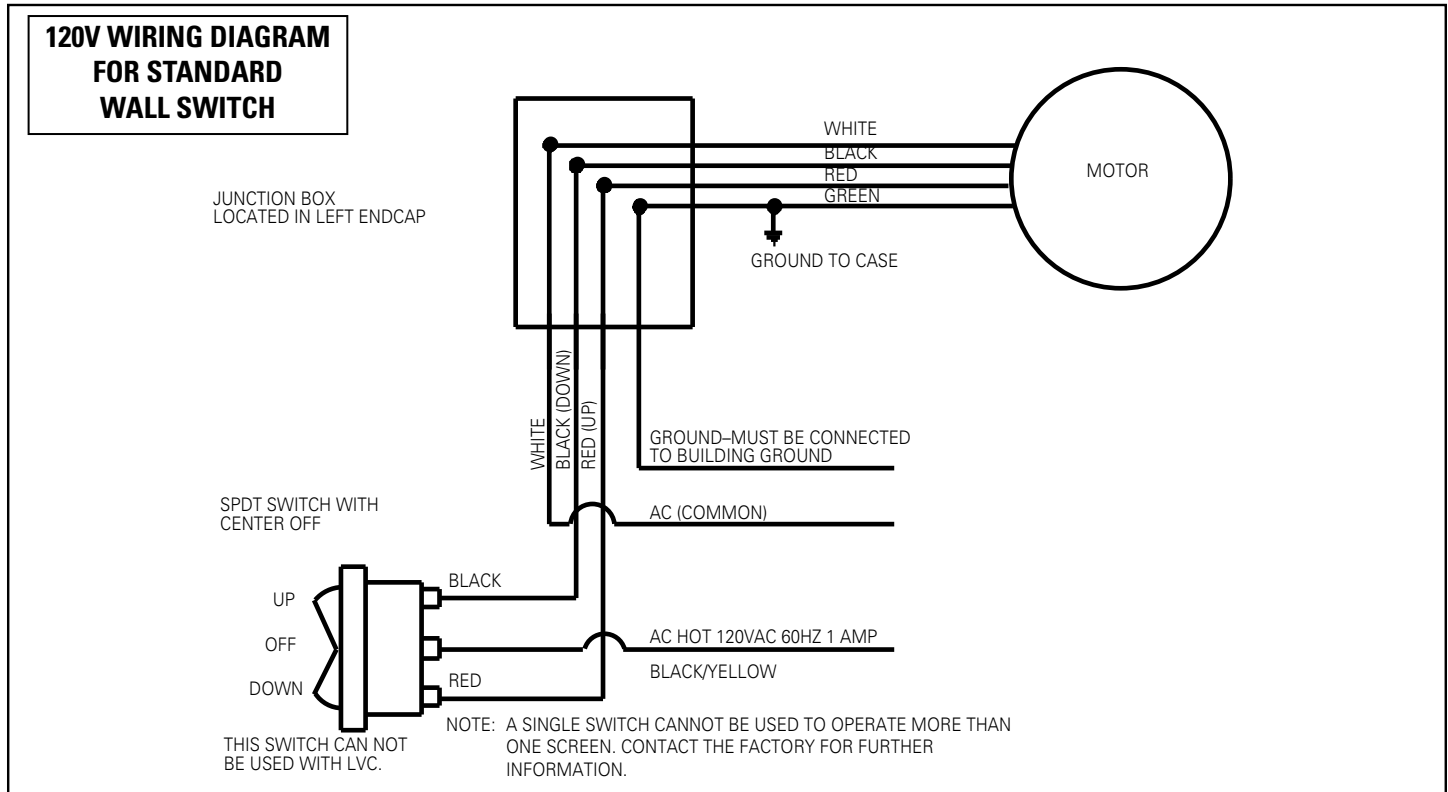


FIGURE 3

## ELECTRICAL INSTALLATION

Internal wiring has been completed at the factory. Installer must route power to the wall switch and to the junction box located on the left end of the screen case.

Standard installation is for a single 120VAC or 240VAC wall switch to control the screen. Optional Control units may have been ordered. Wiring diagrams for the built-in VPI and low voltage control are included in these instructions. Refer to additional instructions for the external VPI, external low voltage control, SCB-100 and SCB-200. Refer to the appropriate wiring diagram for your screen.

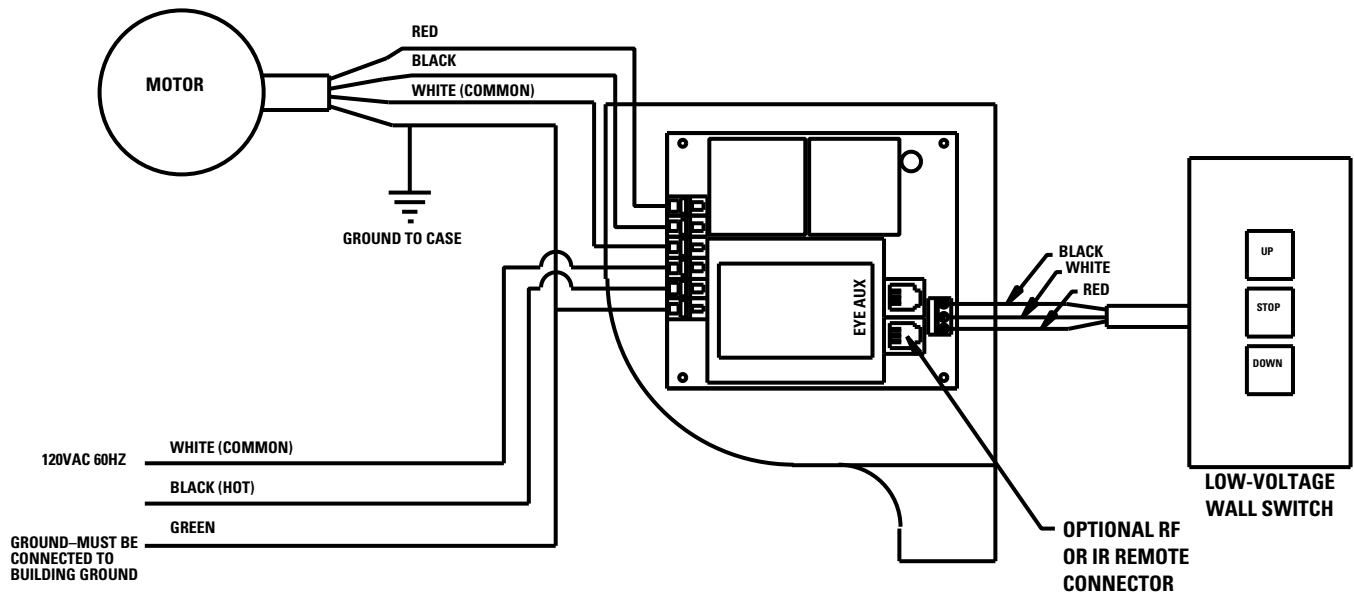


### 240 VOLT WIRING DIAGRAM FOR STANDARD WALL SWITCH:

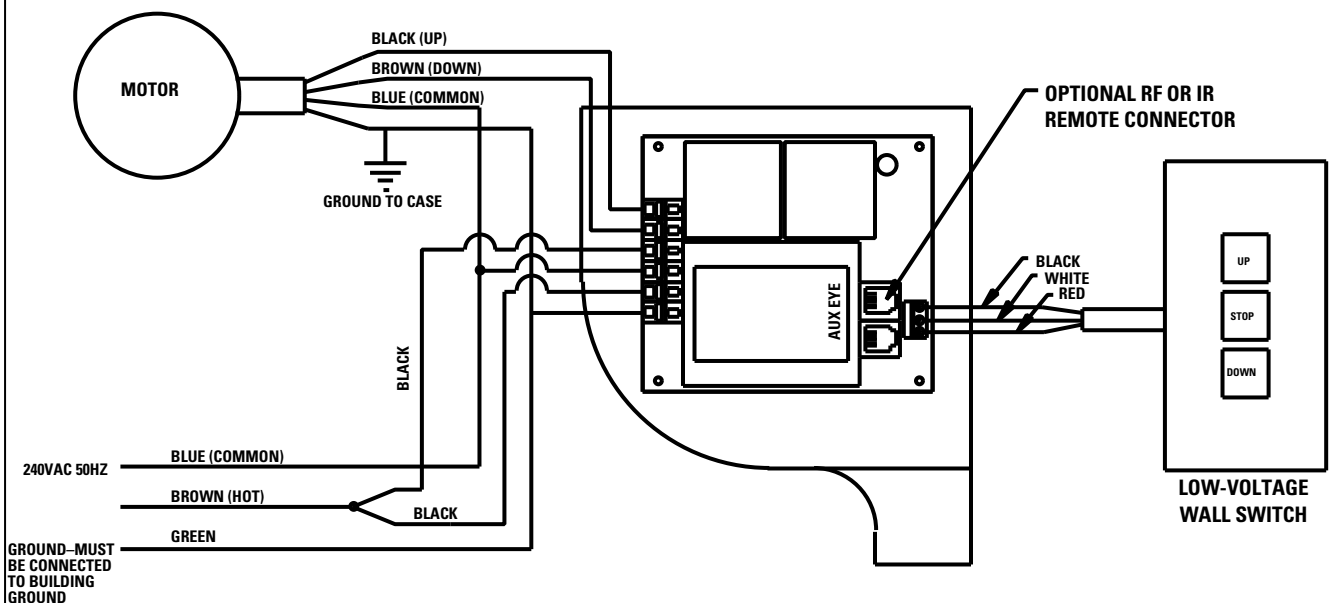
Da-Lite offers two styles of 240 volt wall switches for standard operation. Please see wiring diagram included in wall switch box included with screen.

# ELECTRICAL INSTALLATION

## 120V WIRING DIAGRAM WITH OPTIONAL BUILT-IN LOW VOLTAGE CONTROL



## 240V WIRING DIAGRAM WITH OPTIONAL BUILT-IN LOW VOLTAGE CONTROL



## SCREEN ADJUSTMENT

Screen travel is stopped automatically in the down and up positions by the limit switches that are preset at the factory. If it's necessary to adjust for more or less drop follow the steps below. The case cover must be removed to access the motor limit switches.

Remove the case cover screw from both ends of the screen. See figure 4. Be sure to hold the cover while removing the screws.

Rotate the cover up and away from the case until it can be removed.

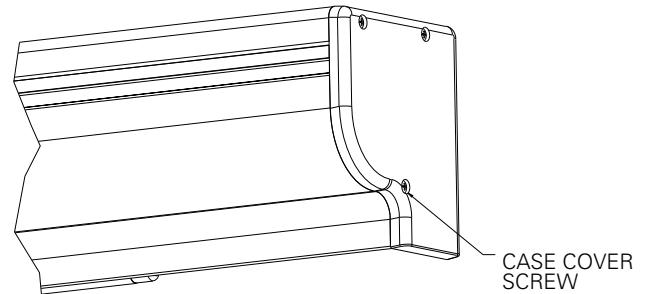


FIGURE 4

### SETTING THE DOWN LIMIT POSITION

#### TO REDUCE SCREEN DROP:

Turn the red limit switch screw clockwise to decrease the amount of screen drop. Run the screen down to test the stop position. If the screen drops too far, raise the screen about one foot and adjust the limit switch again. Repeat until the desired position is set.

#### TO INCREASE SCREEN DROP:

Turn the red limit switch screw counterclockwise to increase the amount of screen drop. Run the screen down to test the stop position. If the screen does not drop enough, raise the screen about one foot and adjust the limit switch again. Repeat until the desired position is set.

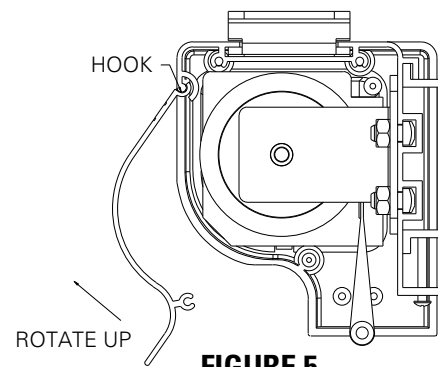


FIGURE 5

**CAUTION:** Do not adjust for more drop than what was ordered. At least 1-1/2 wraps of fabric must remain on the roller. This screen comes standard with 0" or 2" black at top. See the specification data sheet for details.

## TROUBLESHOOTING

SYMPTOM	CAUSE	SOLUTION
1. Screen will not operate. Motor does <b>not</b> hum.	(a) Incorrect line voltage. (b) Blown fuse. (c) Tripped circuit breaker. (d) No power to operating switch or junction.  Power at junction box  (e) Thermal overload tripped. (f) Broken wire in the <b>"down"</b> or <b>"up"</b> position.  (g) Defective motor, limit switch or capacitor. (h) Capacitor burned out.	(a) Verify 115-125V (or 220-240V). If insufficient voltage, rewire incoming electric line. (b) Replace fuse. (c) Reset circuit breaker. (d) Check above. Tighten all loose wire connections. Correct any improper connections. <b>"Down" Position</b> Check for power across black and white leads. <b>"Up" Position</b> Check for power across red and white leads.  (e) Let motor cool down for 15 minutes. Try again. (f) Check for continuity. Cut off old splice and reconnect.  (g) Replace motor assembly. <b>NOTE: Motor is a sealed assembly.</b> (h) Replace motor assembly.
2. Incorrect stopping position in <b>downward</b> direction.	(a) Lost roller wrap. (b) <b>"Down"</b> limit switch out of adjustment	(a) See instructions below. (b) See installation instructions.
3. Incorrect stopping position in <b>upward</b> direction.	(a) Lost roller wrap. (b) <b>"Up"</b> limit switch out of adjustment	(a) See instructions below. (b) Adjust <b>"up"</b> limit switch. Call for information
4. Noise. <b>NOTE: Screen will operate with a low pitched hum.</b>	(a) Gear Noise.	(a) Replace motor assembly.
5. Coasting.	(a) Defective brake.	(a) Replace motor assembly.

### RESTORING LOST ROLLER WRAP

1. Tape a strap to the bottom of the screen surface.
2. Push strap over back of roller.
3. Feed fabric as you pull strap to draw fabric over top of roller.
4. Remove tape and strap.

