

# Installation manual for dnp Supernova Infinity Screen, 2x2

**Supernova™**

Supernova™ is a registered trademark of dnp denmark as

**dnp**  
visual experience

# dnp Supernova Infinity Screen, 2x2

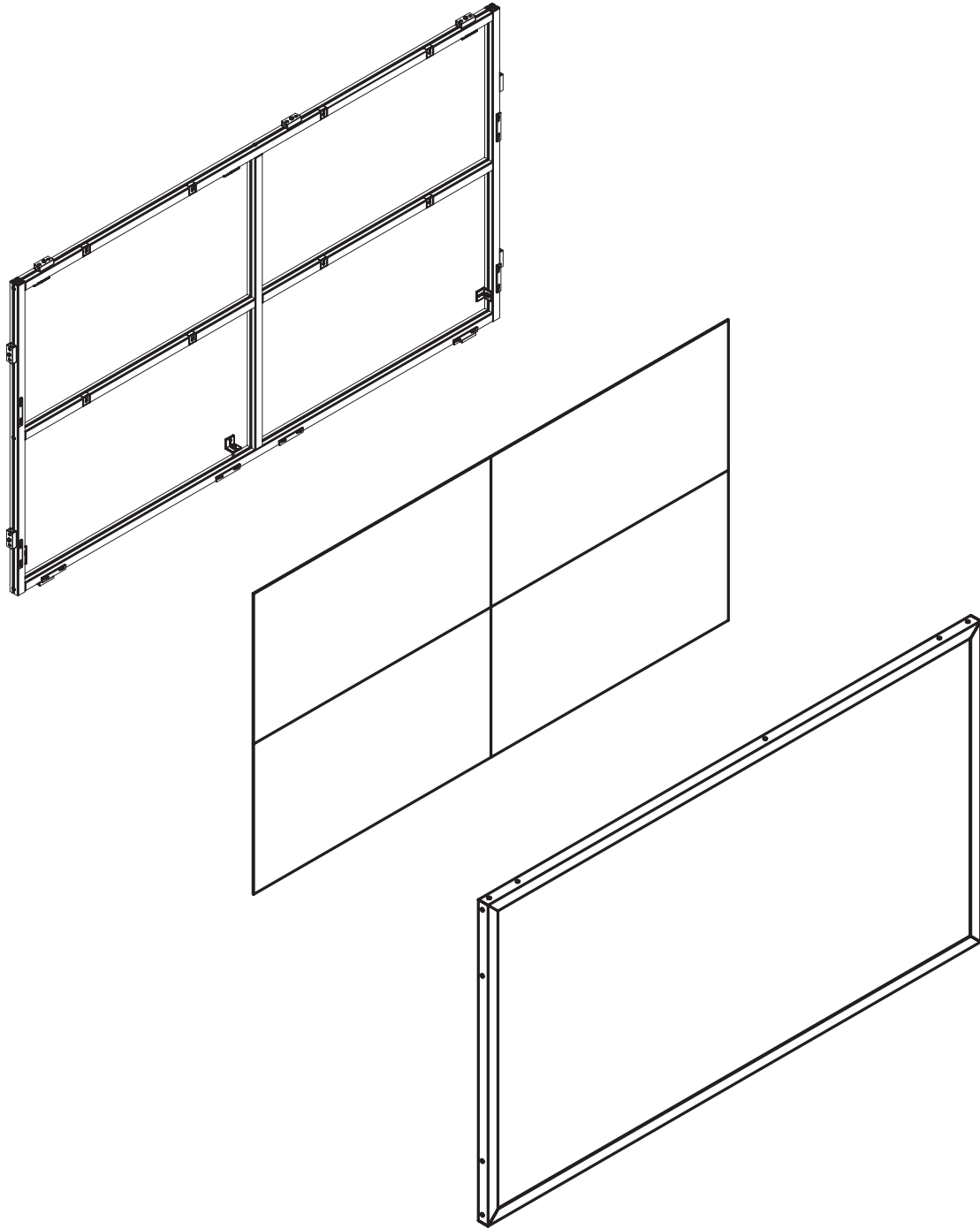
## Important Safety Instructions

### Do not ignore the warnings!

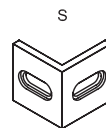
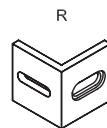
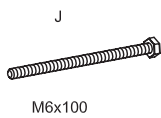
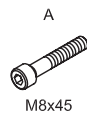
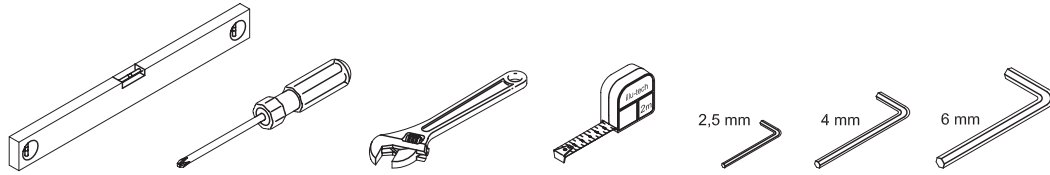
Ignoring below mentioned warnings can cause personal injury or material damage.

- > Follow all instructions carefully. Incorrect installation can lead to severe injury and invalidate the dnp warranty.
- > Keep these instructions.
- > Make sure that the ceiling or wall is capable of carrying the load from the Supernova Infinity screen in the desired place.
- > Use the enclosed gloves when installing the screen.
- > Use suitable fastening material and use all mounting points.
- > Be sure that the screen is mounted correctly and securely to respectively wall, ceiling or floor stand.
- > Handle screen panels with care. The edges of the screen panels are somewhat sensitive.  
Be especially careful not to damage the corners.
- > Mount the panels directly from the transportation crate.
- > Ensure screen panels are properly positioned and held securely in place.
- > Use the fallout protection brackets as precautionary measure to prevent screen panels to fall out.
- > Do not push, pull or tug the screen when mounted.
- > Keep away sharp objects in order not to scratch the screen.
- > Operate within specified temperature and humidity range.
- > Keep away from rain and direct sunlight.
- > Follow cleaning instruction when cleaning screen.

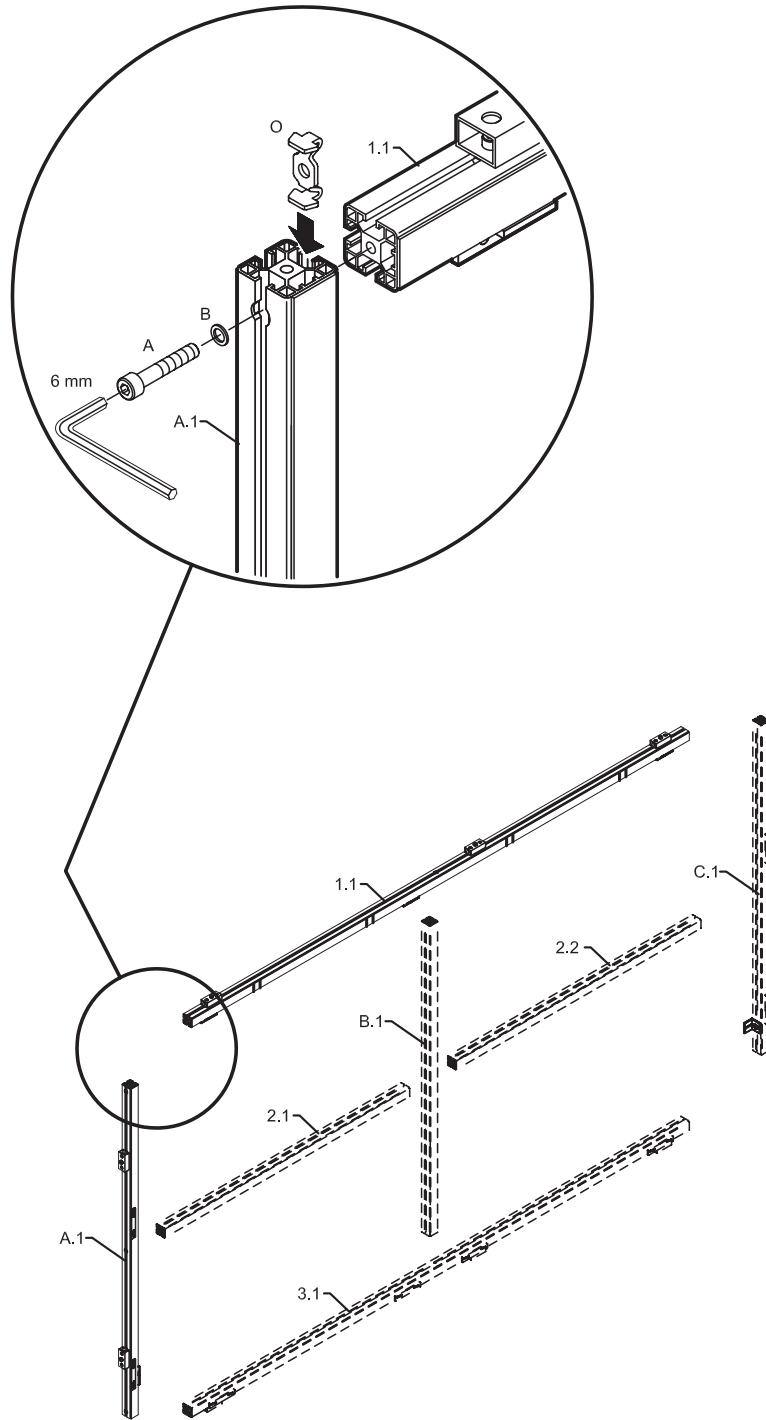
# dnp Supernova Infinity Screen, 2x2



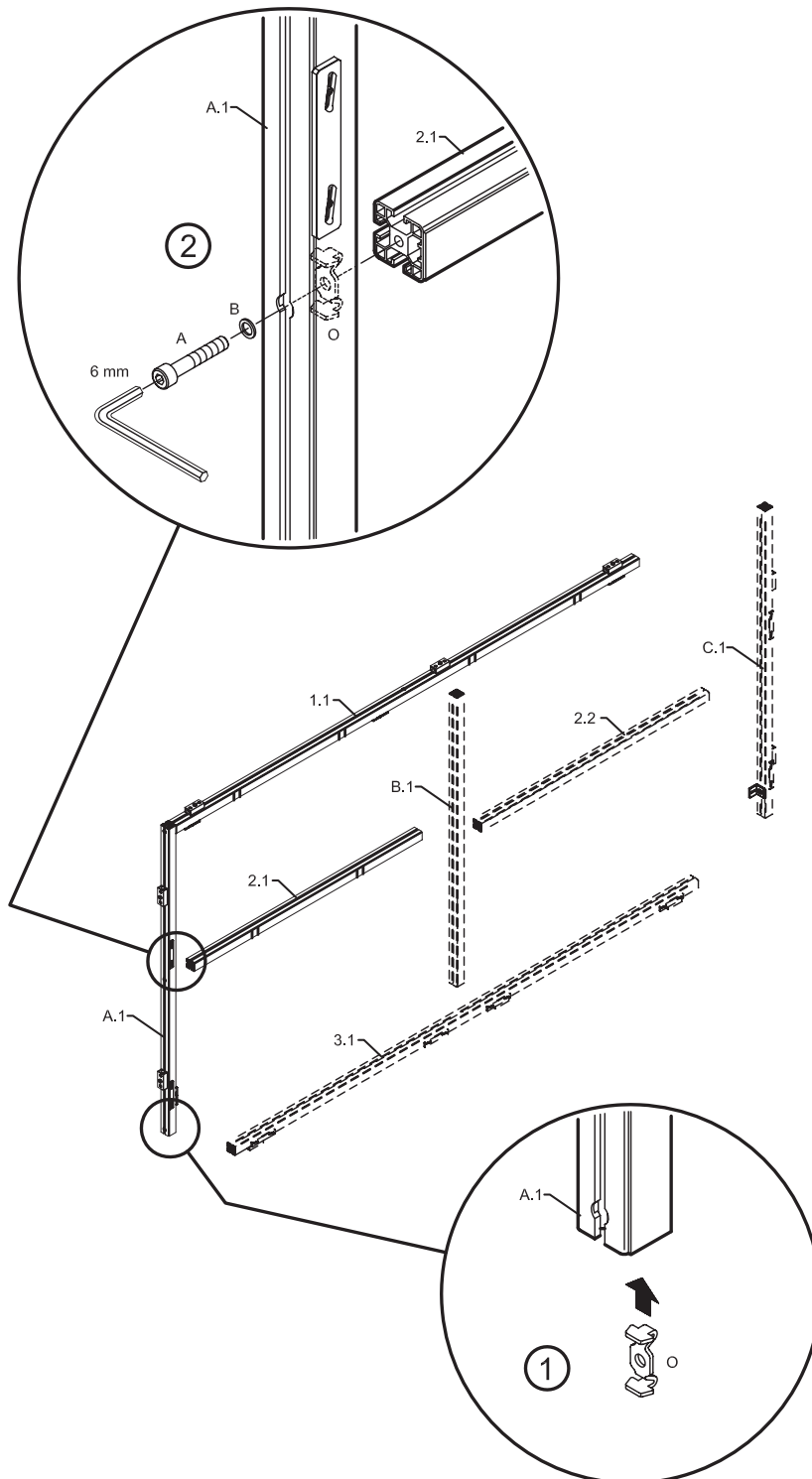
# dnp Supernova Infinity Screen, 2x2



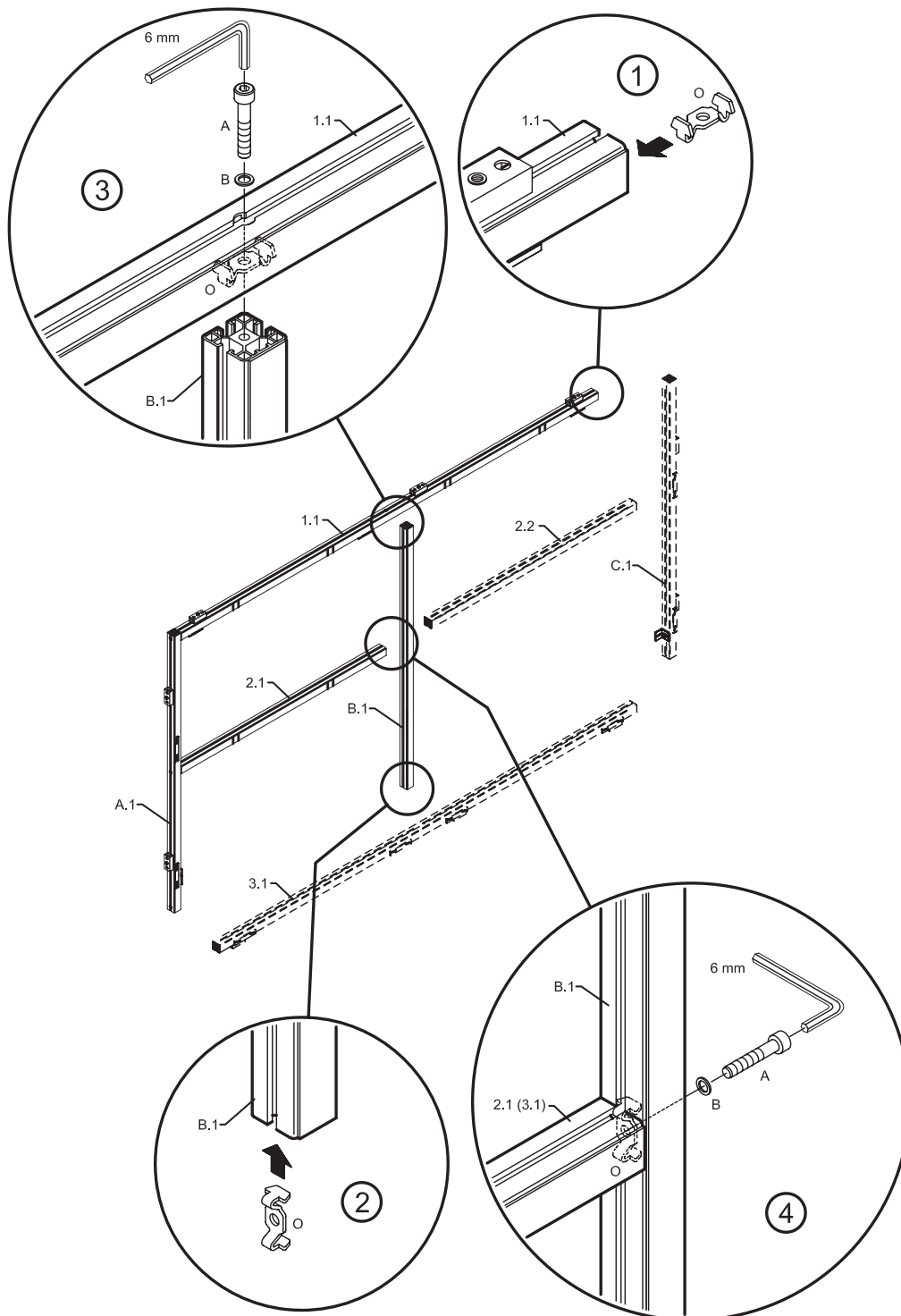
# dnp Supernova Infinity Screen, 2x2



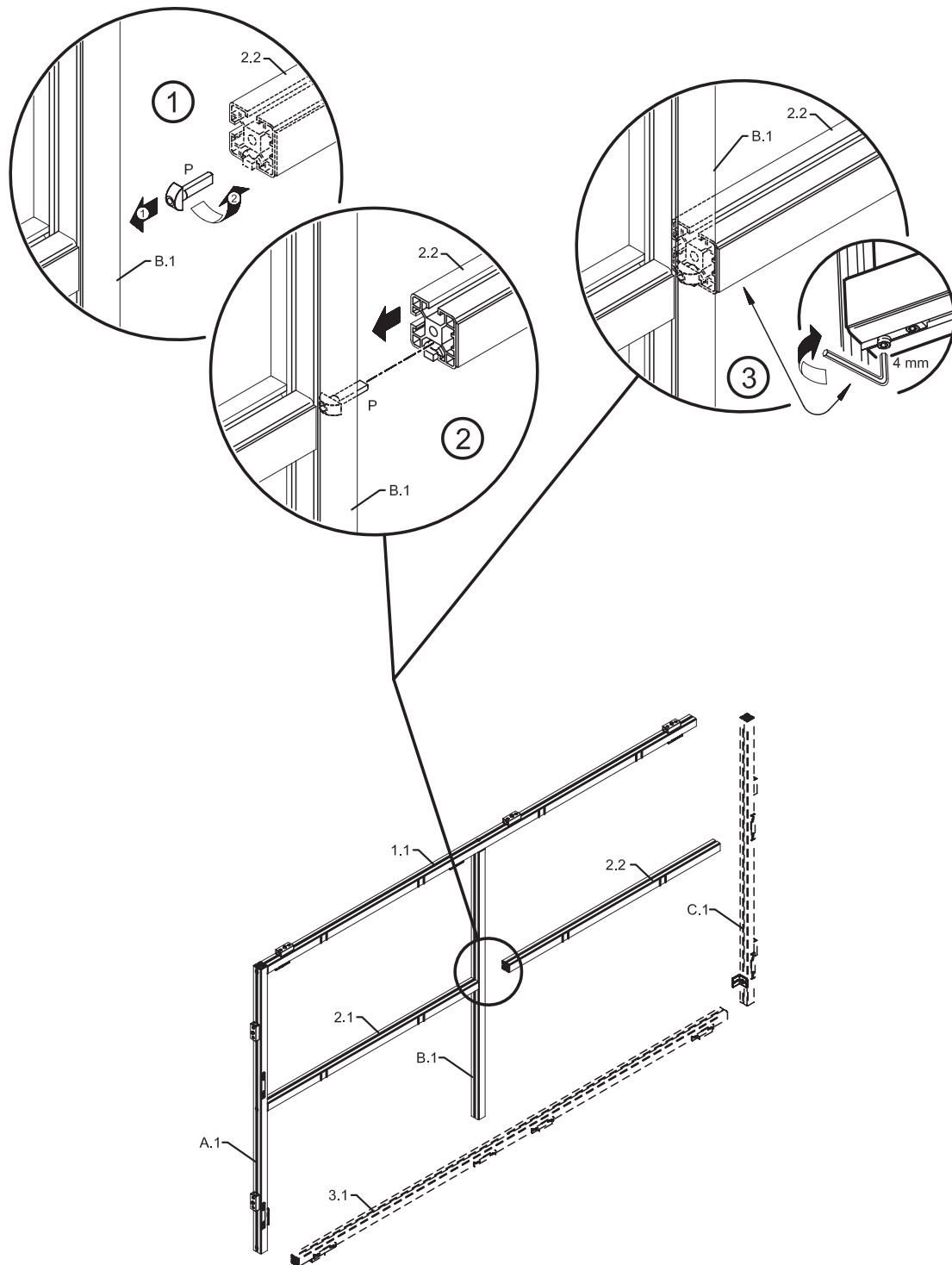
# dnp Supernova Infinity Screen, 2x2



# dnp Supernova Infinity Screen, 2x2

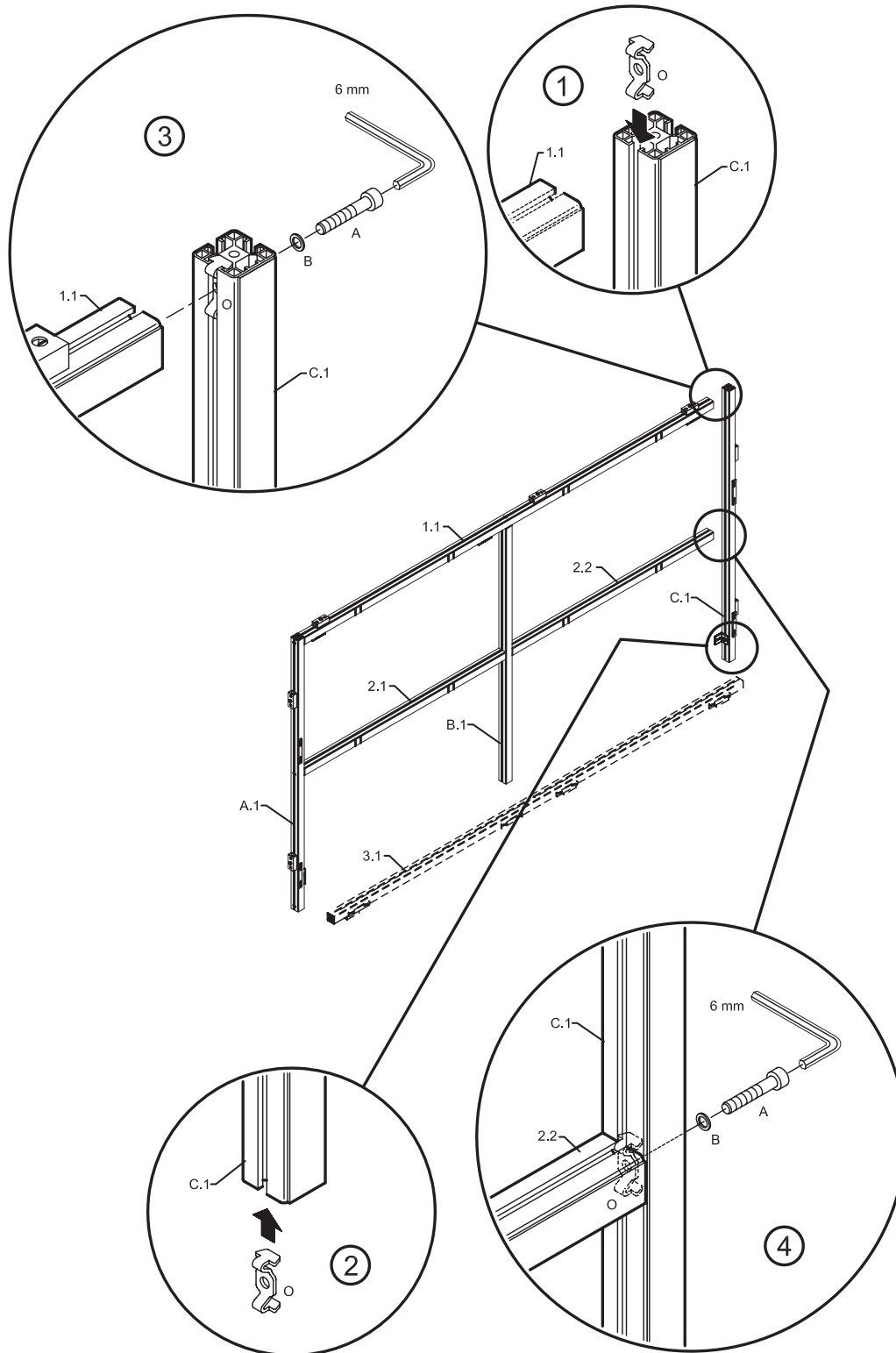


# dnp Supernova Infinity Screen, 2x2

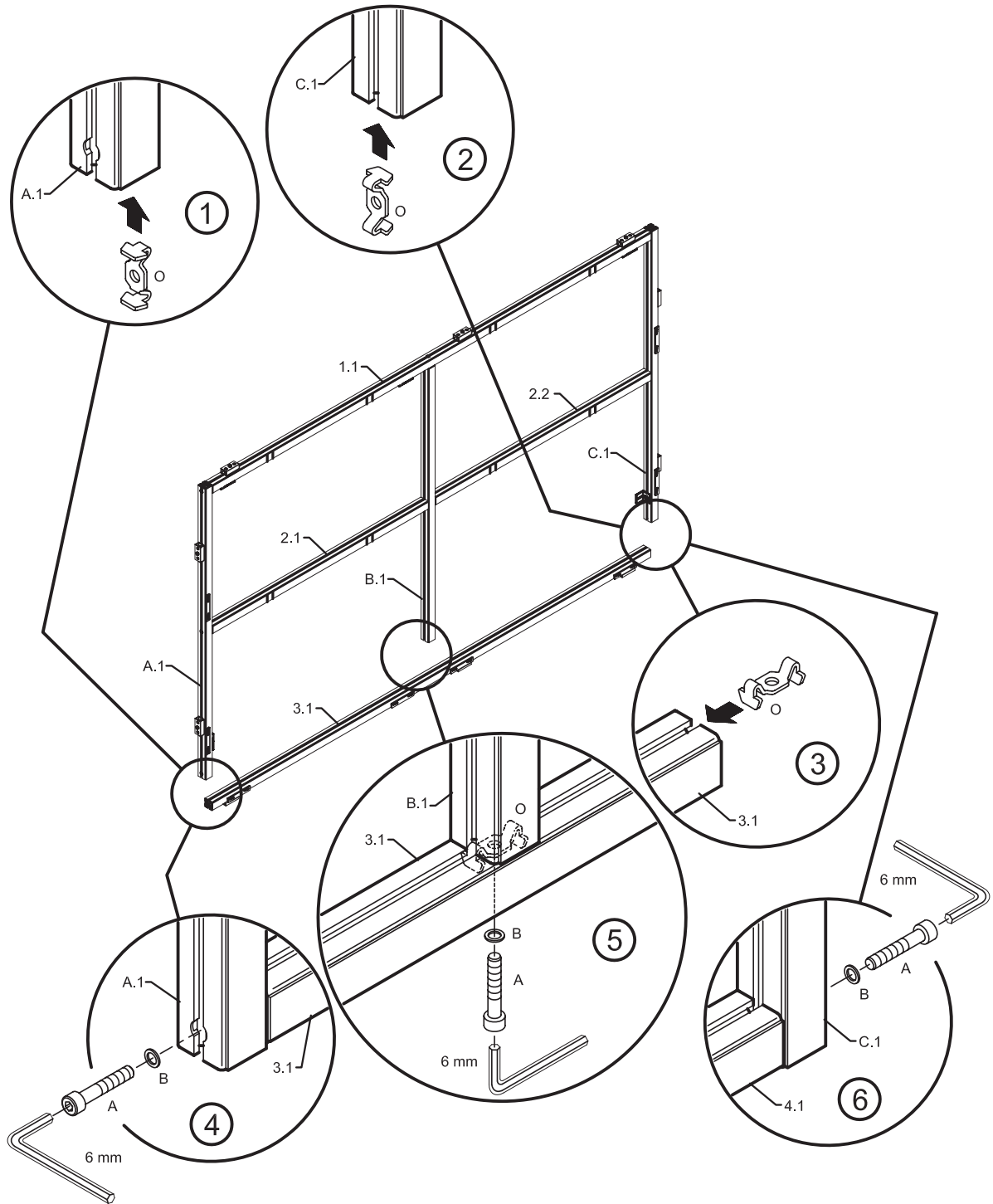




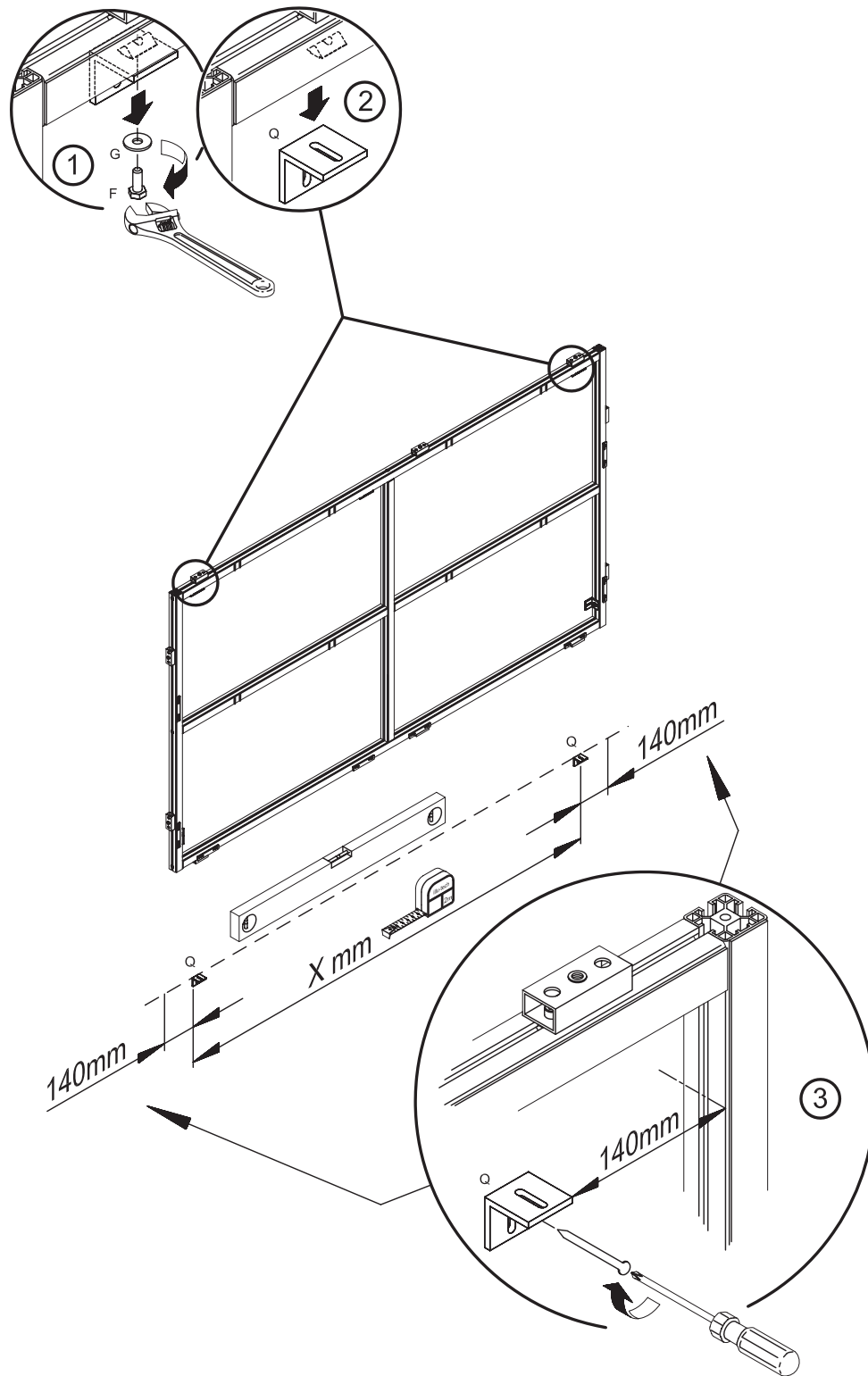
# dnp Supernova Infinity Screen, 2x2



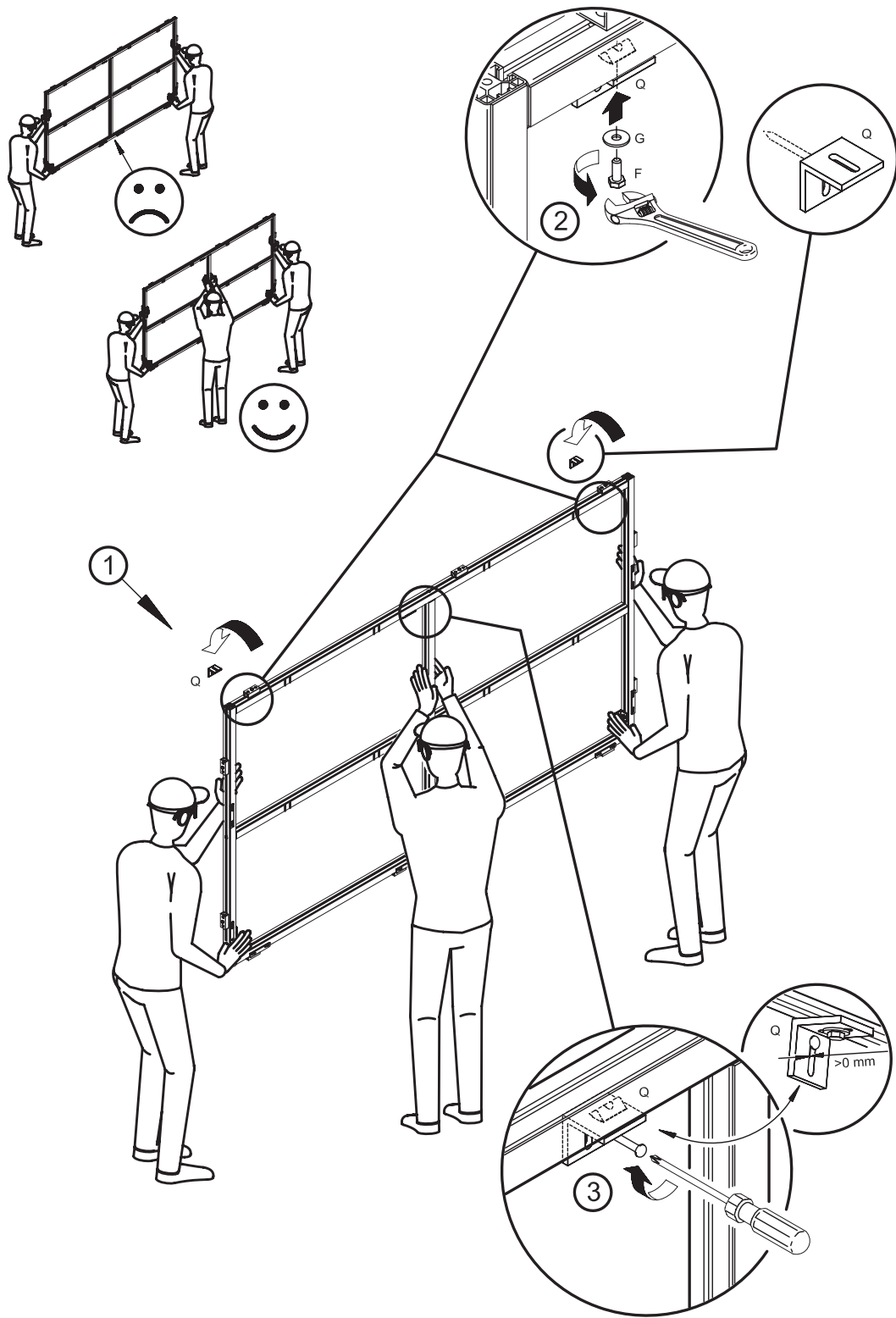
# dnp Supernova Infinity Screen, 2x2



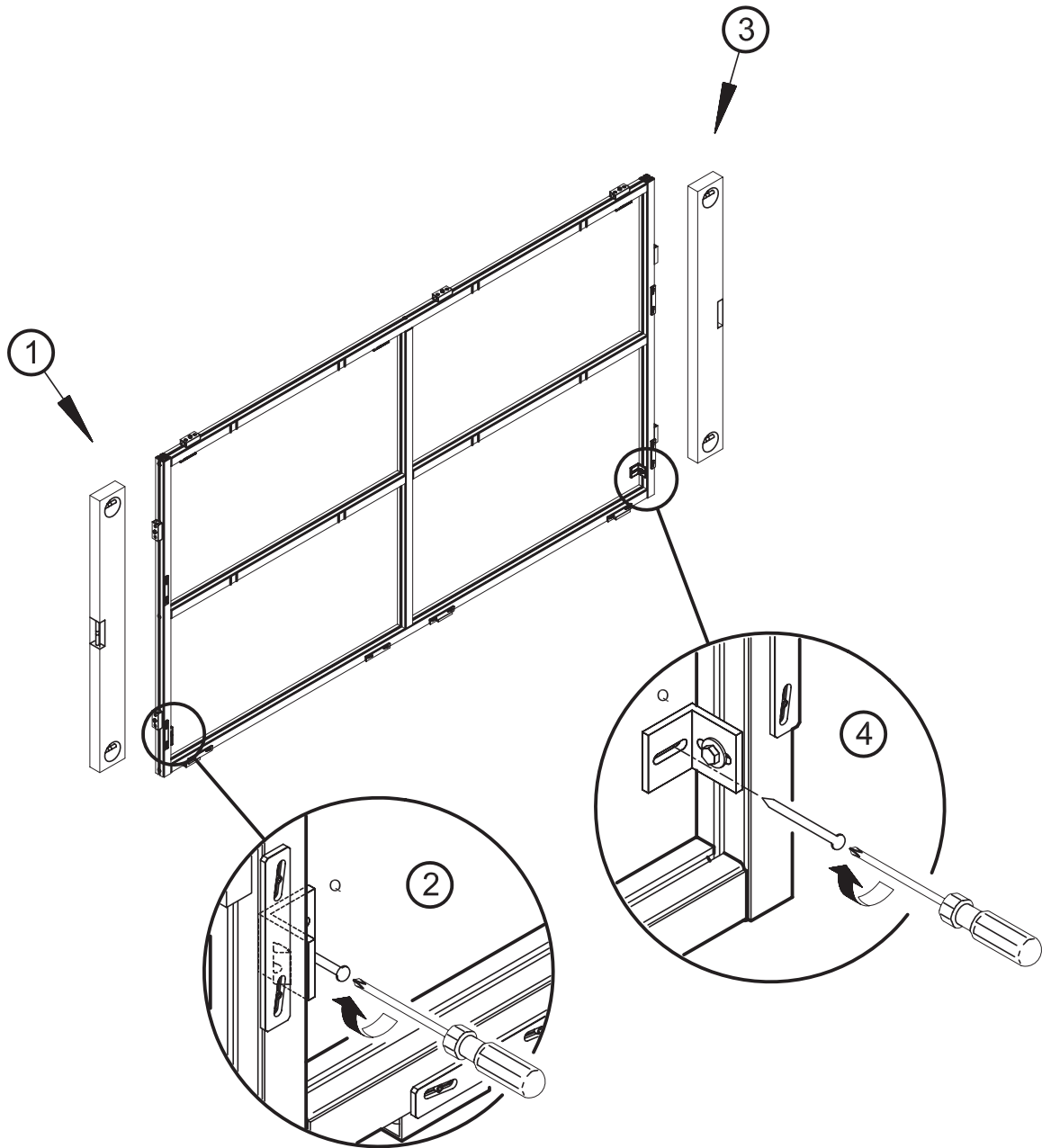
# dnp Supernova Infinity Screen, 2x2



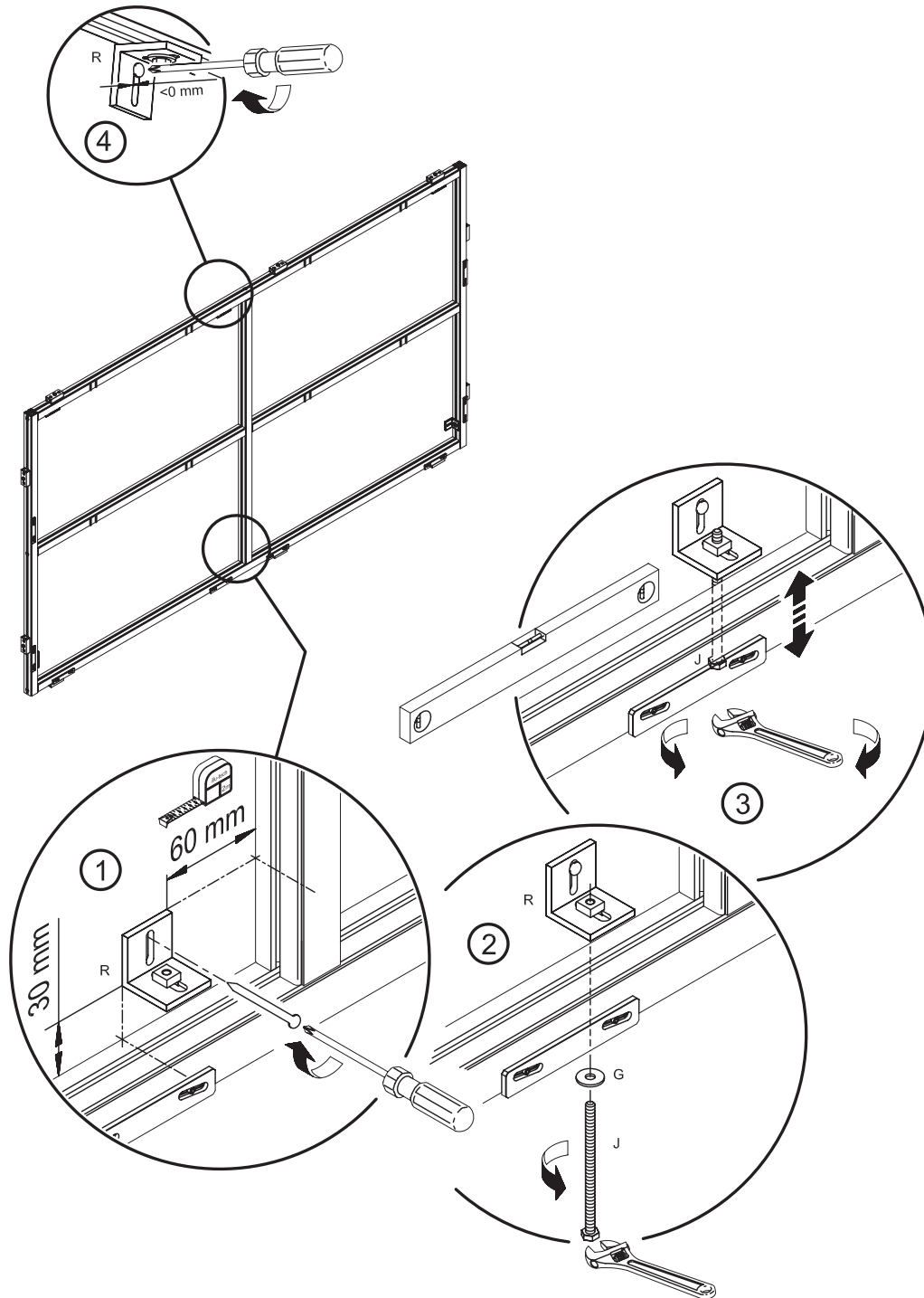
# dnp Supernova Infinity Screen, 2x2



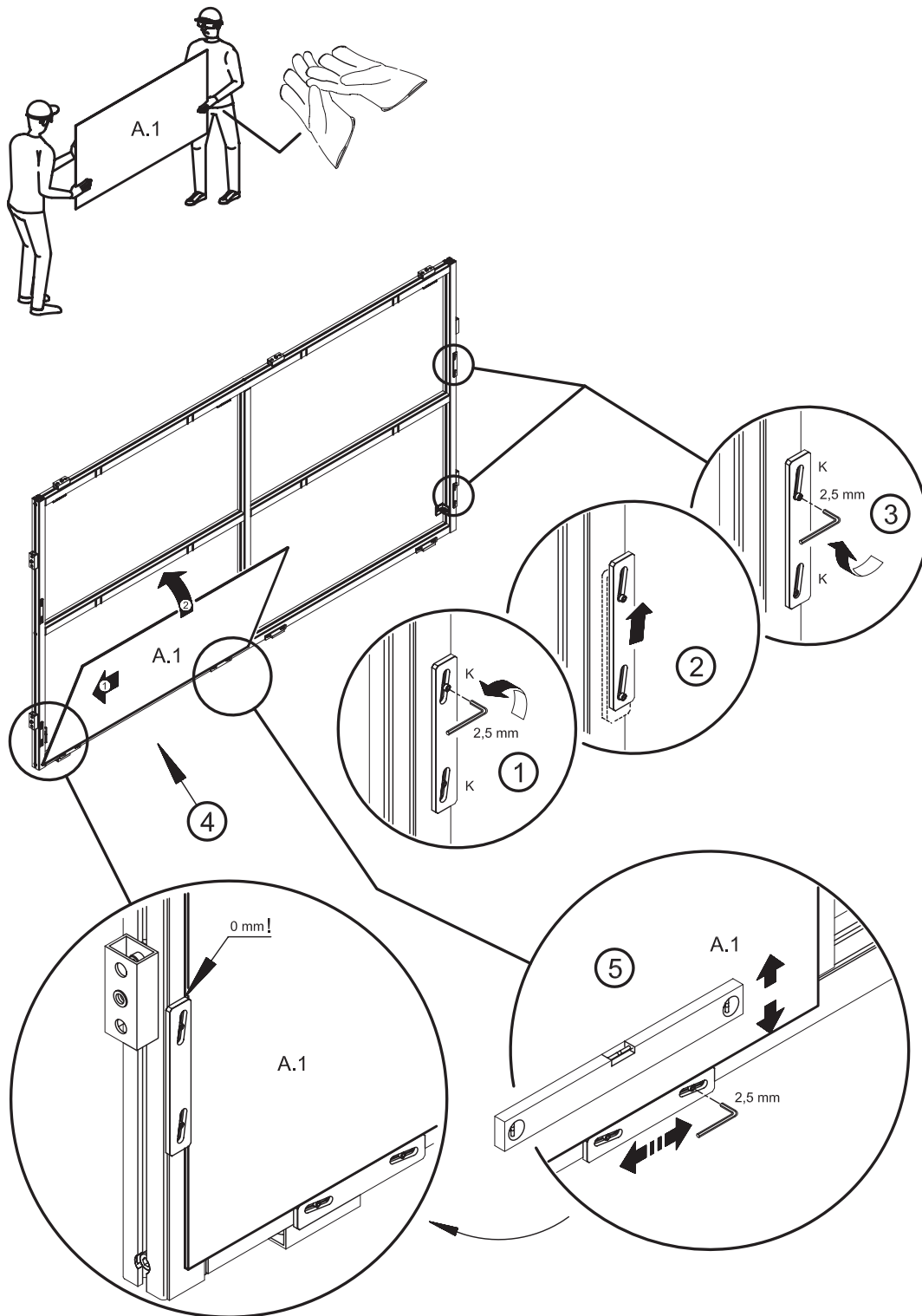
# dnp Supernova Infinity Screen, 2x2



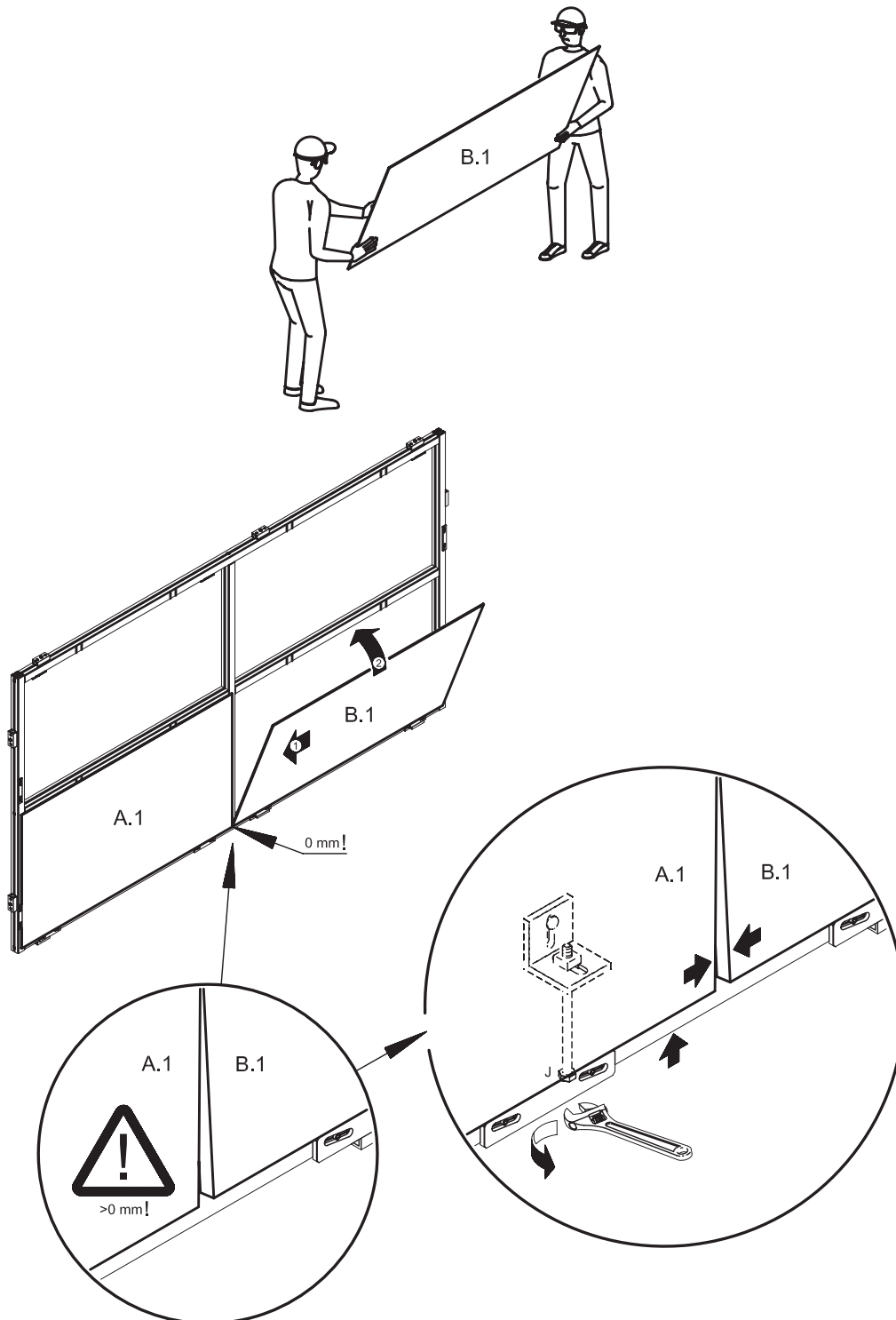
# dnp Supernova Infinity Screen, 2x2



# dnp Supernova Infinity Screen, 2x2

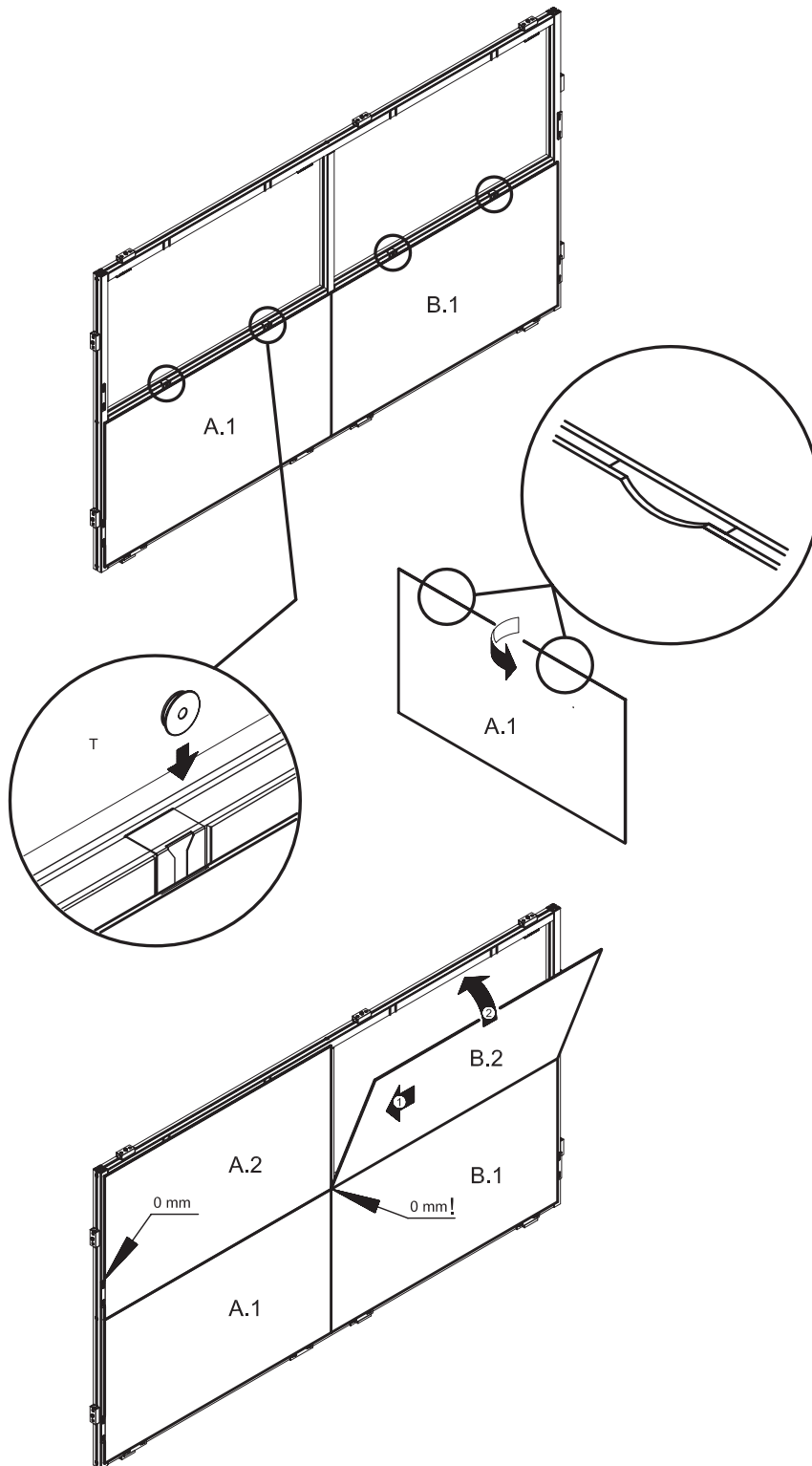


# dnp Supernova Infinity Screen, 2x2

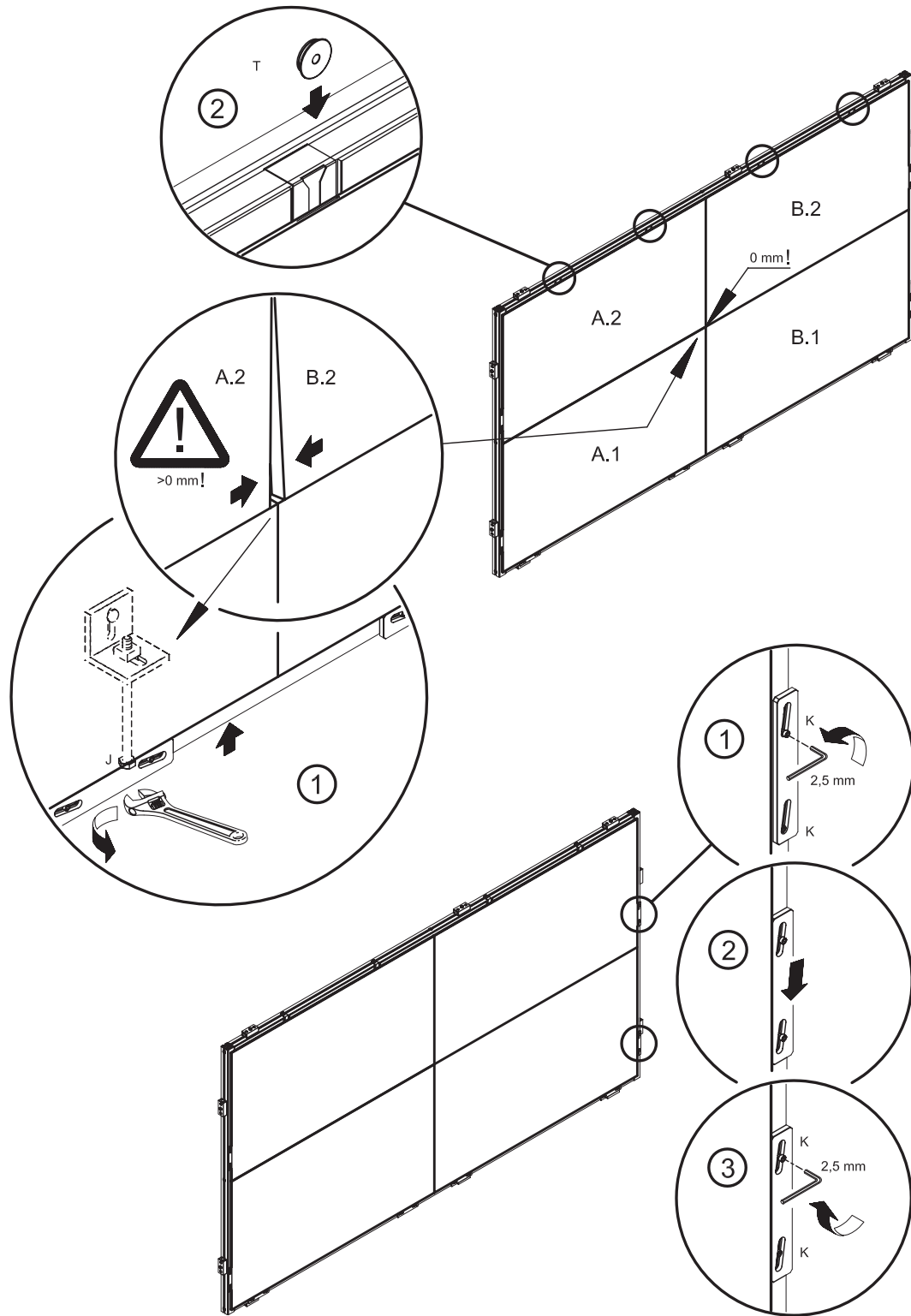




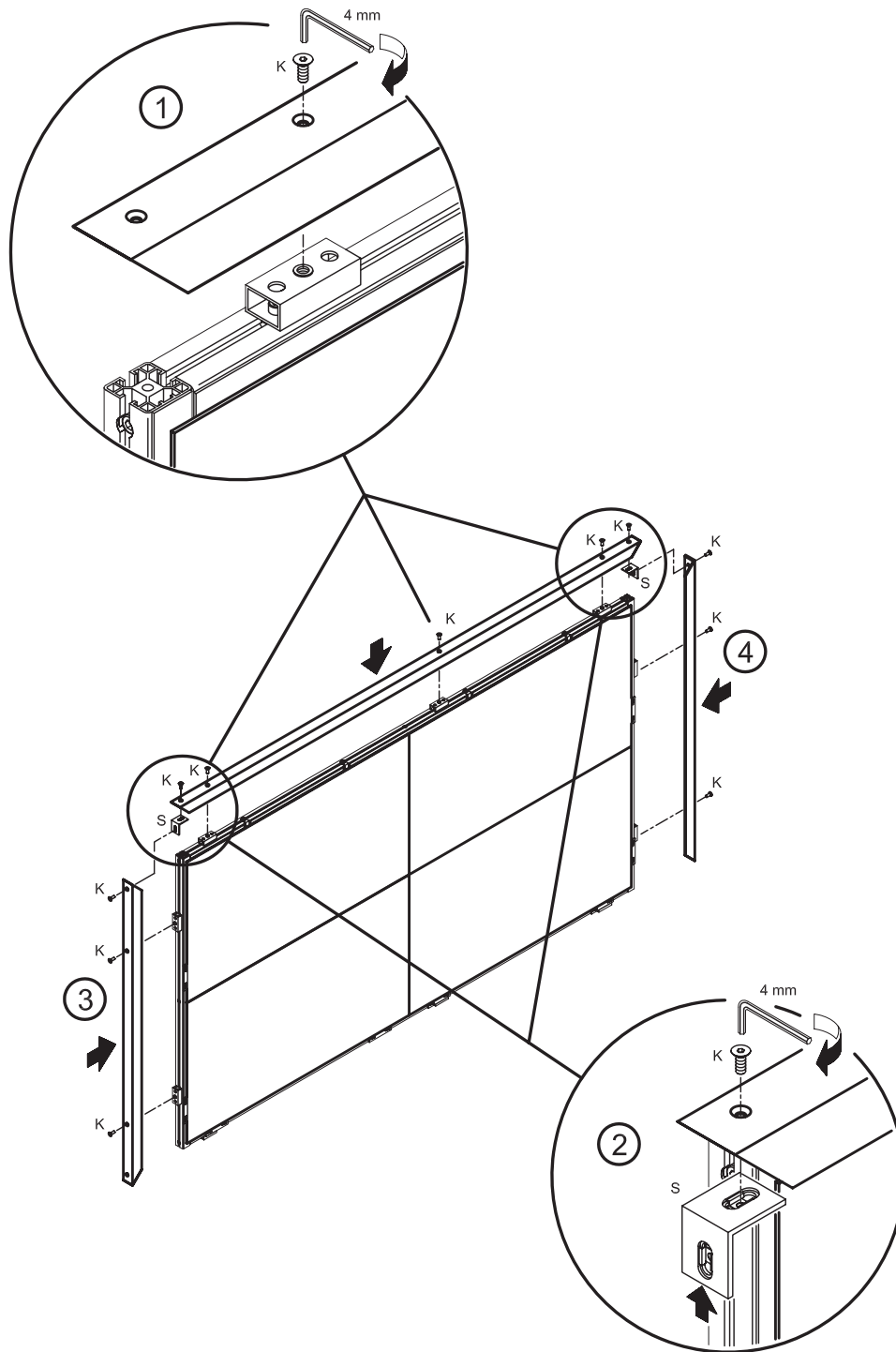
# dnp Supernova Infinity Screen, 2x2



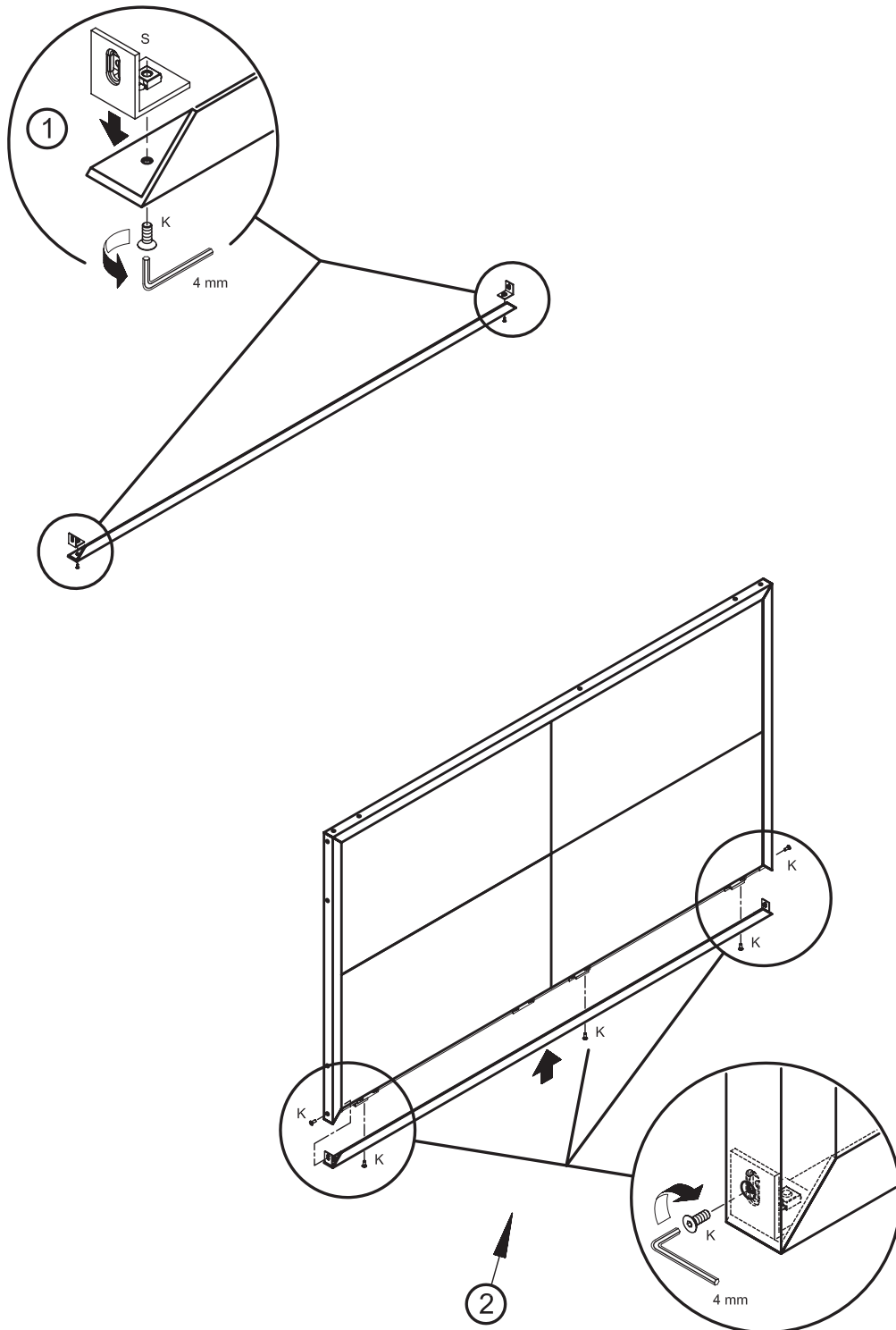
# dnp Supernova Infinity Screen, 2x2



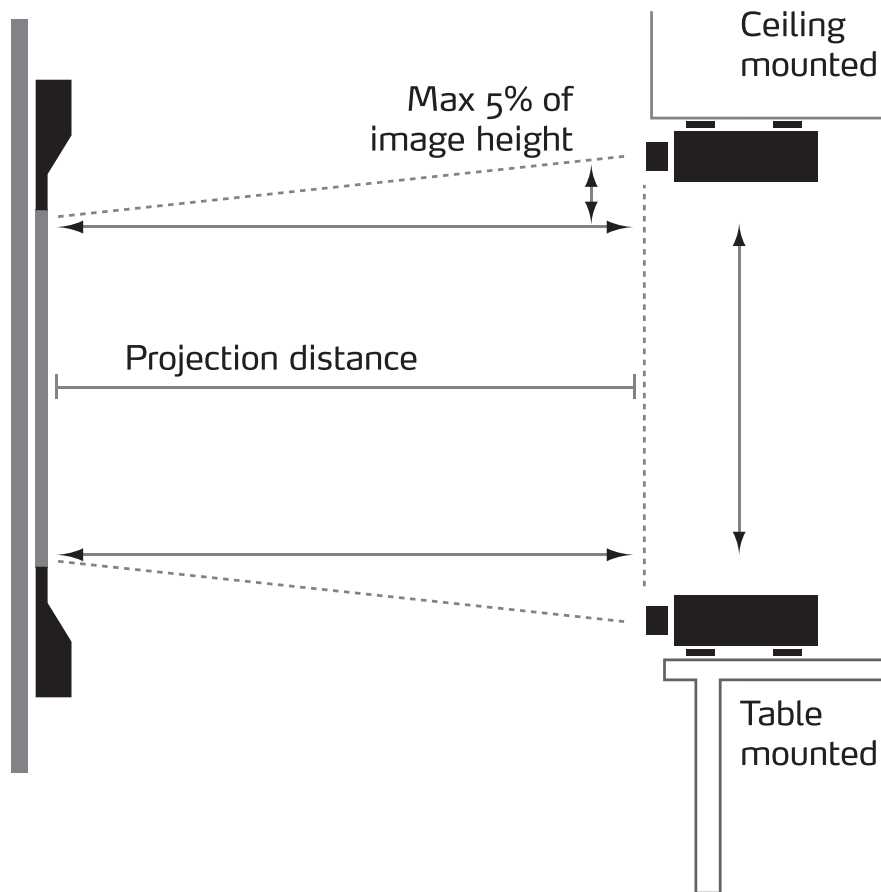
# dnp Supernova Infinity Screen, 2x2



# dnp Supernova Infinity Screen, 2x2



# dnp Supernova Infinity Screen, 2x2



The contents of this brochure are courtesy of dnp denmark as. Text and photos may not be copied or reproduced without approval from dnp denmark

> dnp denmark as  
Skruegangen 2  
DK-2690 Karlslunde  
Denmark

> Phone +45 4616 5100  
Fax +45 4616 5200  
[www.dnp.dk](http://www.dnp.dk)  
[dnp@dnp.dk](mailto:dnp@dnp.dk)

The logo consists of the lowercase letters 'd' and 'p' in a bold, sans-serif font. The 'd' is black, and the 'p' is black with a red diagonal stripe running from the top right to the bottom left, passing through the middle of the letter.  
visual experience